

Duct heaters with circular connections and hot water as energy medium

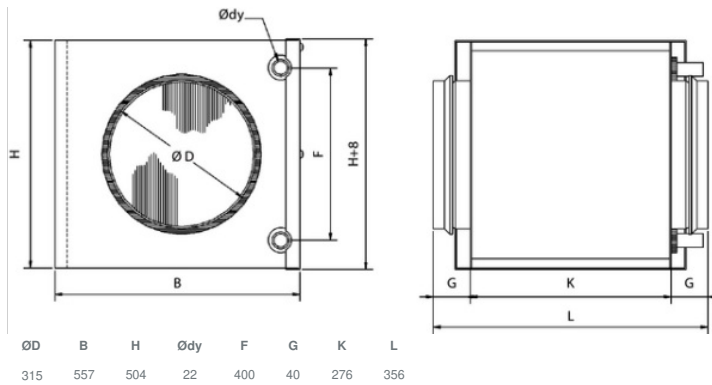
- Circular duct installation horizontally or vertically
- Corrosion protected casing
- Air tightness class D
- Removable access panel for inspection and cleaning

[Find more details in our online catalogue](#)

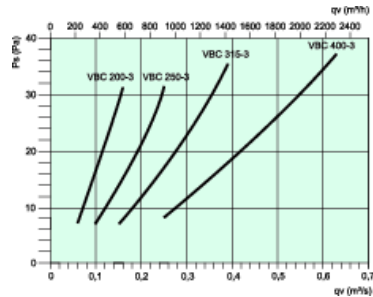
Technical parameters

Dimensions and weights	
Duct dimension; Circular, inlet	315 mm
Duct dimension; Circular, outlet	315 mm
Weight	13.3 kg
Others	
Duct cooler/heater	Heater coil, water
Duct connection type	Circular

Dimension



Performances



Air flow (m³/s)

Pressure drop (Pa)

ΔT air at T water 60/40, °C

Water flow rate (l/s)

Water speed (m/s)

Pressure drop (kPa)

Power (kW)

ΔT air at T water 90/70, °C

Water flow rate (l/s)

Water speed (m/s)

Pressure drop (kPa)

Power (kW)

	VBC 100-3	VBC 125-3	VBC 160-3	VBC 200-3	VBC 250-3	VBC 315-3	VBC 400-3
0,04	0,06	0,1	0,15	0,25	0,39	0,63	
39	17,2	41	29	31,2	35	36,3	
25,9	33,4	29,3	30,7	30,5	30,2	30,3	
0,02	0,03	0,05	0,07	0,12	0,19	0,3	
0,24	0,47	0,68	0,54	0,59	0,69	0,74	
0,85	5,33	11	5,36	6,23	8,28	10,10	
1,35	2,6	3,8	6	9,93	15,3	24,74	
47,4	56,2	49,7	52,1	51,6	51	50,8	
0,03	0,05	0,08	0,13	0,21	0,32	0,51	
0,45	0,8	1,17	0,92	1,02	1,17	1,26	
2,65	14	29,5	14,1	16,2	21,4	26,1	
2,46	4,38	6,46	10,17	16,8	25,87	41,6	

Accessories

AQUA 24TF Heat Regulator (5136)

TG-A130 Surface sensor 0-30°C (5159)

TG-K360 Duct sensor 0-60°C (4846)

RVAZ4-24 Actuator 3points (9798)

ZTV 15-1,6 2-way valve (9824)

TG-A1/PT1000 Surface sensor (7284)

TG-K330 Duct Sensor 0-30°C (5160)

RVAZ4 24A Actuator 0-10V (9862)

ZTR 15-1,6 valve 3-way (9673)

Documents

VBC_172010.pdf

EU Conformity_decl. PGK, VBR, DXRE(D), VBC, CWK.pdf